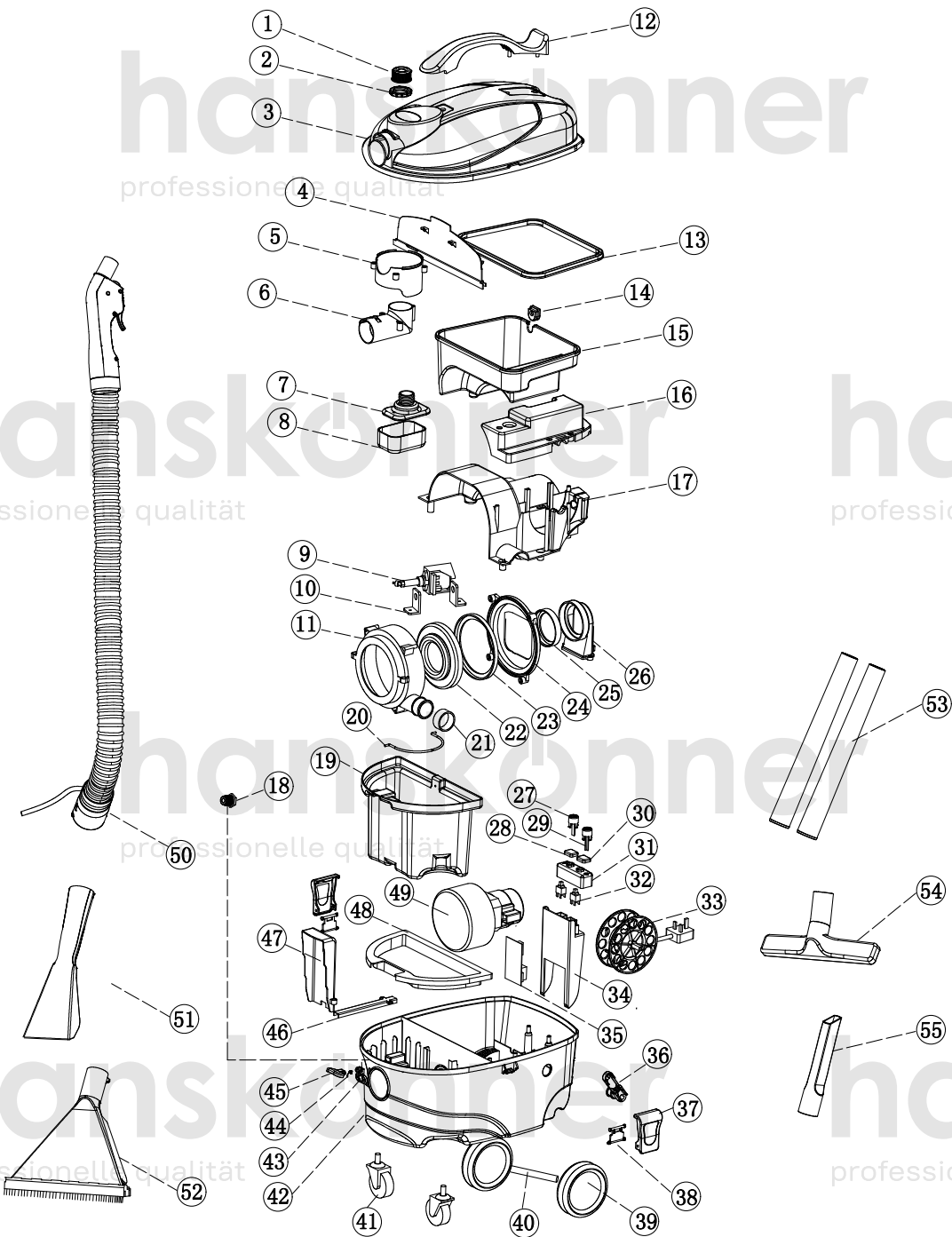


hanskonner  
professionelle qualität

hanskonner  
professionelle qualität

## HVC30WD



NO.	DESCRIPTION	NO.	DESCRIPTION
1	COVER OF FOAMING BOX	28	SEALING GASKET
2	FIXED RING FOR FOAMING BOX	29	SWITCH OF MOTOR
3	TOP COVER	30	SEALING GASKET
4	SEPARATOR BOARD	31	SWITCH BOX 1
5	AIR IN CONNECTION	32	SMALL SWITCH
6	HOSE CONNECTION	33	WINDING ROLL ASSEMBLY
7	FOAMING BOX 1	34	SWITCH BOX 2
8	FOAMING BOX 2	35	PCB
9	PUMP	36	WINCH ASSEMBLY FOR WINDING ROLL
10	FIXING PART FOR PUMP	37	HASP
11	MOTOR COVER 1	38	HASP CONNECTION
12	HANDLE	39	REAR WHEEL
13	SEAL 1	40	RAIL
14	SEAL 2	41	UNIVERSAL WHEEL
15	WATER TANK	42	BIN
16	WINGING ROLL COVER	43	BOTTOM
17	MOTOR COVER PLATE	44	TORSIONAL SPRING
18	JOINT WITH CLAPBOARD	45	SMALL COVER
19	DUST BIN	46	WATER PIPE COVER PLATE 2
20	HANDLE OF DUST BIN	47	WATER PIPE COVER PLATE 1
21	SEAL	48	FRAME
22	DOWN SEAL OF MOTOR	49	DOUBLE STAGE MOTOR
23	UPPER SEAL OF MOTOR	50	HOSE ASSEMBLY
24	MOTOR COVER 2	51	SEMI-TRANSPARENT SOFA BRUSH ASSEMBLY
25	SEAL	52	BIG CARPET BRUSH ASSEMBLY
26	MOTOR COOLING AIR DUCT	53	METAL TUBE
27	SWITCH OF PUMP	54	FLOOR NOZZLE
		55	LONG CREVICE NOZZLE

HVC30WD-EX-RUS220824

hanskonner  
professionelle qualität

hanskonner  
professionelle qualität